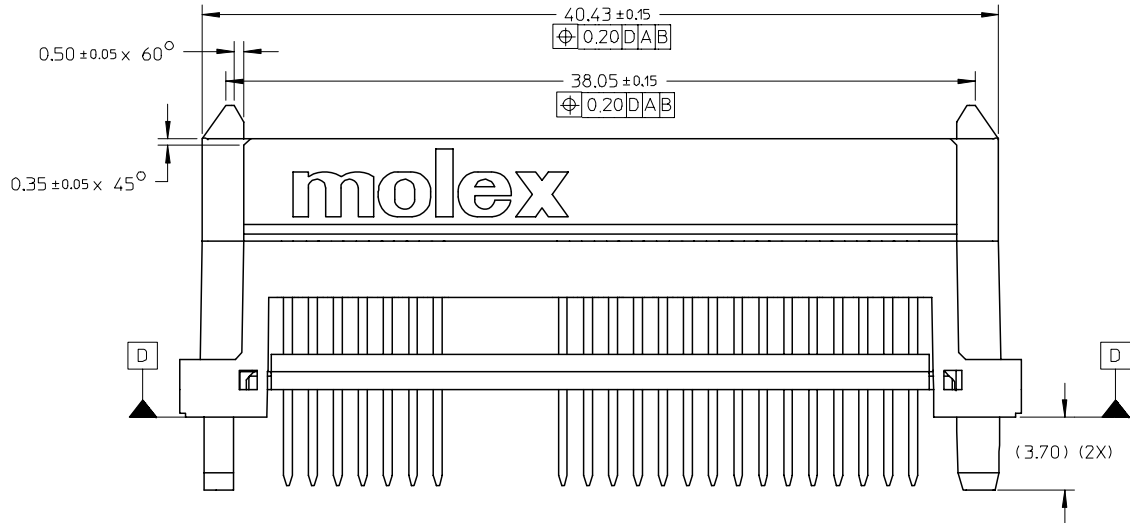
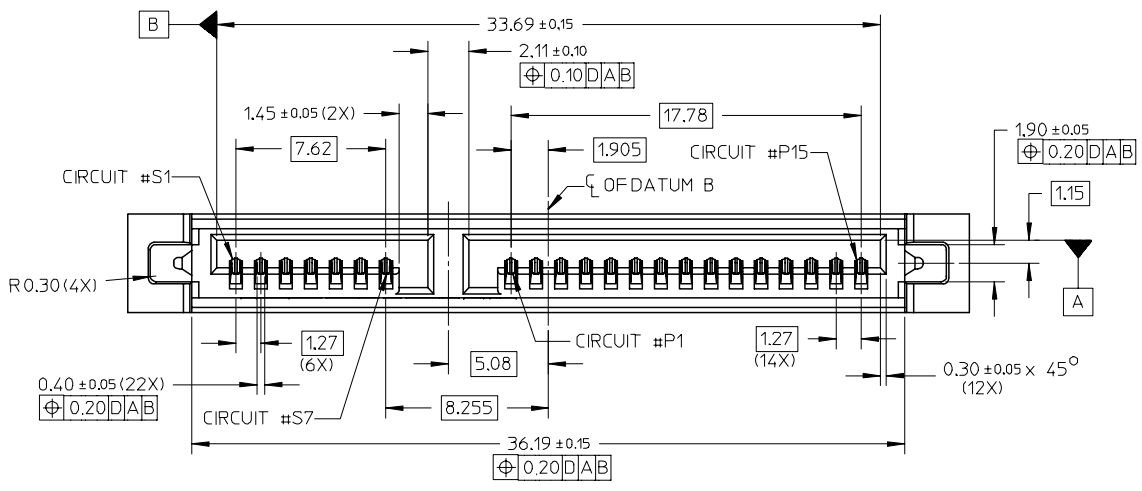
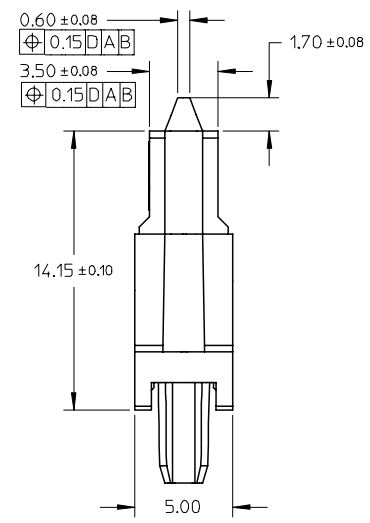


10 9 8 7 6 5 4 3 2 1



NOTES:

1. MATERIAL: LCP, GLASS FILLED, UL 94V-0, COLOR: BLACK
TERMINAL: COPPER ALLOY
2. PLATING
CONTACT: 0.76µm MIN. SELECTIVE GOLD OVER 1.27µm MIN. NICKEL
UNDERPLATE
SOLDERTAIL: 2.54µm MIN. TIN OVER 1.27µm MIN. NICKEL UNDERPLATE
3. MOLEX LOGO LOCATED APPROXIMATELY AS SHOWN
4. MAXIMUM WARPAGE OF 0.13 mm OVER THE LENGTH OF THE CONNECTOR
IN ANY DIRECTION BEFORE AND AFTER EXPOSURE TO MAX. 260°C
FOR 10 SECONDS
5. PRODUCT SPECIFICATION 87678-029 APPLIES
6. PACKAGING
30 CONNECTORS PER TRAY



OBS TIN/LEAD P/N EC NO: S2006-0984 2006/04/04 DRWN:MLONG 2006/04/04 CHKD:CGTAN 2006/04/04 APPR:KCLING 2006/04/04	QUALITY SYMBOLS ▽=0 △=0	GENERAL TOLERANCES (UNLESS SPECIFIED)		DIMENSION STYLE MM ONLY		SCALE NTS	DESIGN UNITS METRIC	THIRD ANGLE PROJECTION		
			mm	INCH	DRAWN BY DKOH	DATE 2003/03/20	SERIAL ATA BACKPLANE EXT. HT., RECEPT., T/H			
		4 PLACES	± ---	± ---	CHECKED BY KCLING	DATE 2003/03/28				
		3 PLACES	± ---	± ---	APPROVED BY SKTOH	DATE 2003/03/31	MOLEX INCORPORATED			
			2 PLACES	± 0.20	± ---	MATERIAL NO. 87678-1001	DOCUMENT NO. SD-87678-023	SHEET NO. 1 OF 4		
			1 PLACE	± ---	± ---	THIS DRAWING CONTAINS INFORMATION THAT IS PROPRIETARY TO MOLEX INCORPORATED AND SHOULD NOT BE USED WITHOUT WRITTEN PERMISSION				
			ANGULAR ± 3 °			DRAFT WHERE APPLICABLE MUST REMAIN WITHIN DIMENSIONS				

9 8 7 6 5 4 3 2 1

10 9 8 7 6 5 4 3 2 1

F

E

D

C

B

A

F

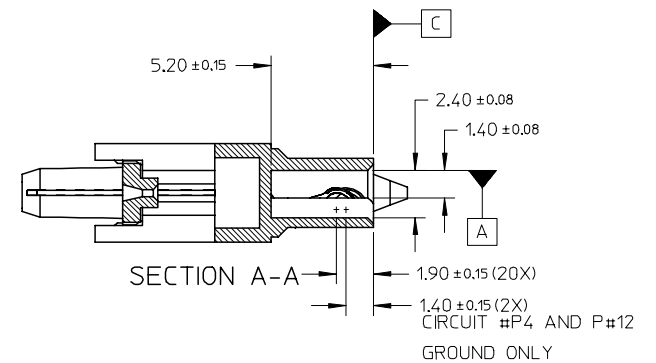
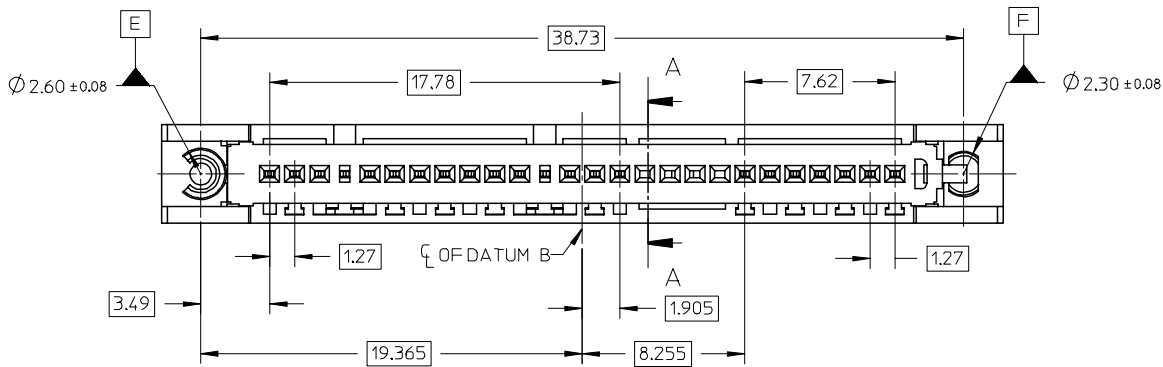
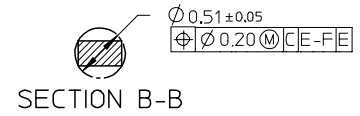
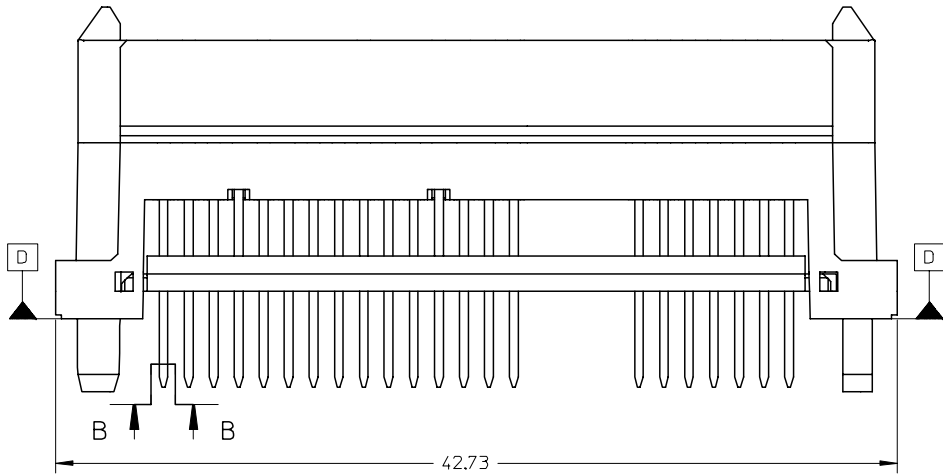
E

D

C

B

A

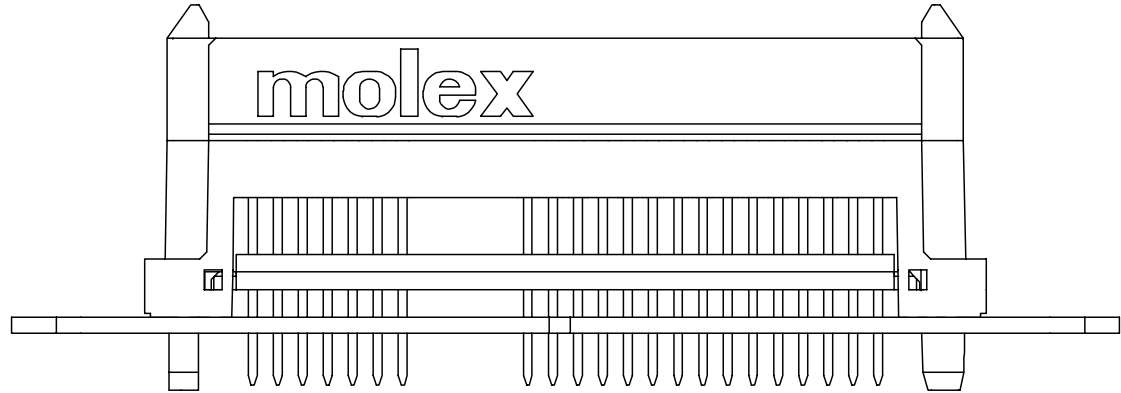
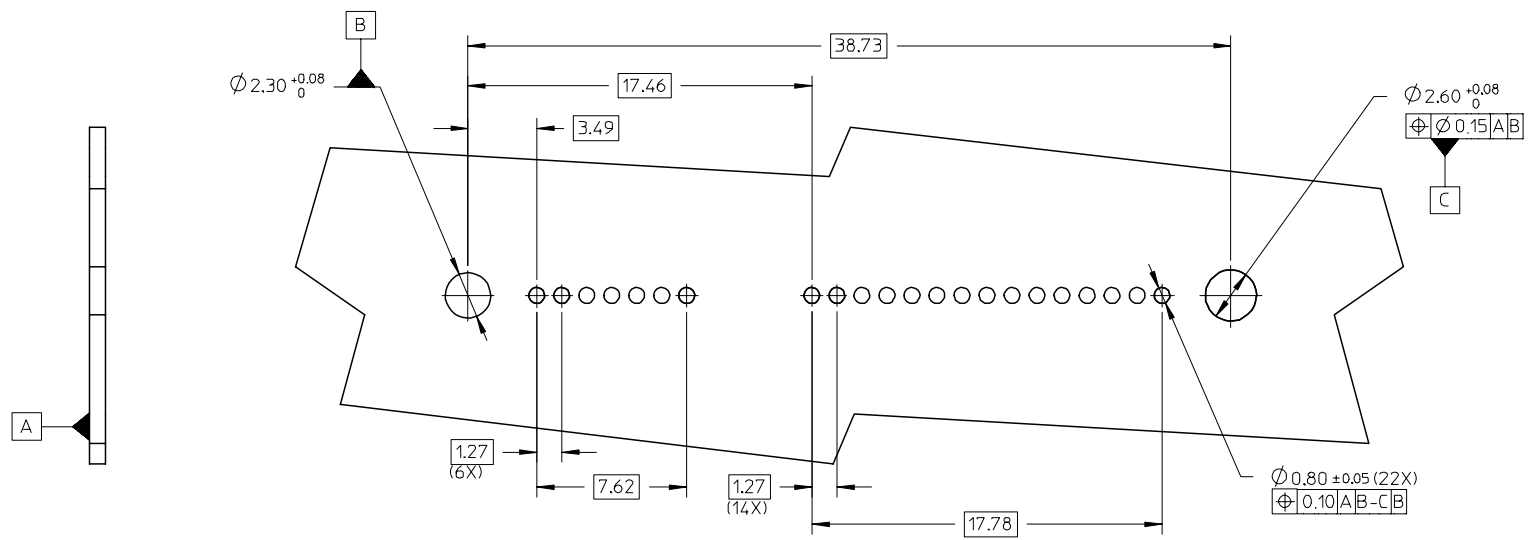


OBS TIN/LEAD P/N EC NO: S2006-0984 DRWN:MLONG CHKD:CGTAN APPR:KCLING	REV DESCRIPTION	QUALITY SYMBOLS	GENERAL TOLERANCES (UNLESS SPECIFIED)	DIMENSION STYLE	SCALE	DESIGN UNITS	THIRD ANGLE PROJECTION	
		▽=0	mm INCH	MM ONLY	NTS	METRIC		
		∇=0	4 PLACES ± --- ± ---	DRAWN BY DATE	TITLE	SERIAL ATA BACKPLANE EXT. HT., RECEPT., T/H		
			3 PLACES ± --- ± ---	DKOH 2003/03/20				
	2 PLACES ± 0.20 ± ---	CHECKED BY DATE	MOLEX INCORPORATED					
	1 PLACE ± --- ± ---	KCLING 2003/03/28						
		APPROVED BY DATE	SD-87678-023					
		SKTOH 2003/03/31						
			MATERIAL NO.	DOCUMENT NO.	SHEET NO. 2 OF 4			
			87678-1001	SD-87678-023				
			DRAFT WHERE APPLICABLE MUST REMAIN WITHIN DIMENSIONS			THIS DRAWING CONTAINS INFORMATION THAT IS PROPRIETARY TO MOLEX INCORPORATED AND SHOULD NOT BE USED WITHOUT WRITTEN PERMISSION		

9 8 7 6 5 4 3 2 1

10 9 8 7 6 5 4 3 2 1

F
E
D
C
B
A



PCB THICKNESS: 0.80 mm - 2.50 mm
RECOMMENDED PCB LAYOUT

OBS TIN/LEAD P/N EC NO: S2006-0984 DRWN:MLONG 2006/04/04 CHKD:CGTAN 2006/04/04 APPR:KCLING 2006/04/04	QUALITY SYMBOLS ▽=0 △=0	GENERAL TOLERANCES (UNLESS SPECIFIED)		DIMENSION STYLE MM ONLY		SCALE NTS	DESIGN UNITS METRIC	THIRD ANGLE PROJECTION	
				DRAWN BY DKOH		DATE 2003/03/20	TITLE SERIAL ATA BACKPLANE EXT. HT., RECEPT., T/H		
				CHECKED BY KCLING		DATE 2003/03/28			
				APPROVED BY SKTOH		DATE 2003/03/31	MOLEX INCORPORATED		
		DRAFT WHERE APPLICABLE MUST REMAIN WITHIN DIMENSIONS		MATERIAL NO. 87678-1001		DOCUMENT NO. SD-87678-023		SHEET NO. 3 OF 4	

9 8 7 6 5 4 3 2 1

10 9 8 7 6 5 4 3 2 1

F

F

E

E

D

D

C

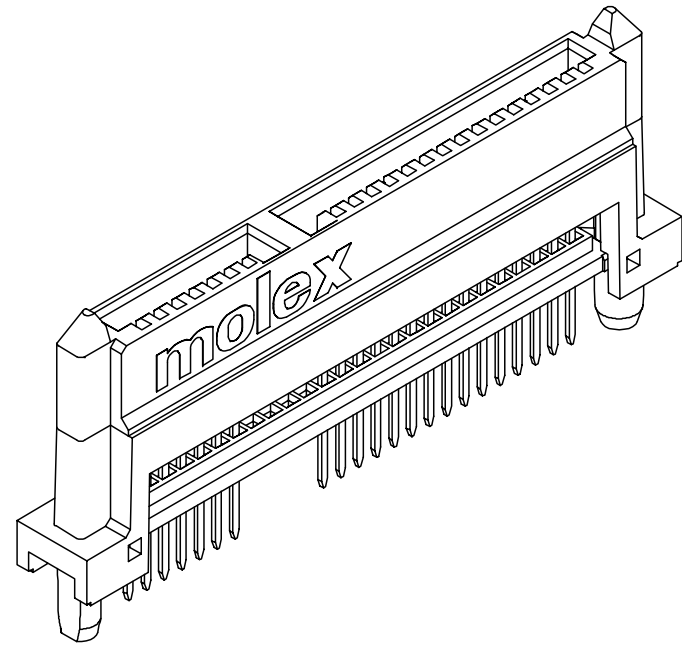
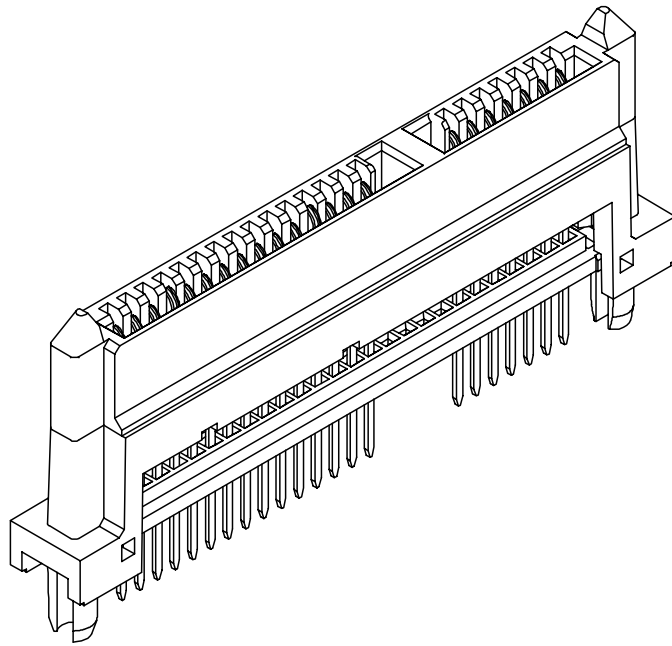
C

B

B

A

A



OBS TIN/LEAD P/N EC NO: S2006-0984 DRWN:MLONG CHKD:CGTAN APPR:KCLING	2006/04/04	2006/04/04
	2006/04/04	2006/04/04
	2006/04/04	2006/04/04
	2006/04/04	2006/04/04

QUALITY SYMBOLS	DESCRIPTION
▽=0	
∇=0	

GENERAL TOLERANCES (UNLESS SPECIFIED)	
	MM ONLY
4 PLACES	± ---
3 PLACES	± ---
2 PLACES	± 0.20
1 PLACE	± ---
ANGULAR ± 3 °	
DRAFT WHERE APPLICABLE MUST REMAIN WITHIN DIMENSIONS	

DIMENSION STYLE	
MM ONLY	
DRAWN BY	DATE
DKOH	2003/03/20
CHECKED BY	DATE
KCLING	2003/03/28
APPROVED BY	DATE
SKTOH	2003/03/31
MATERIAL NO.	87678-1001

SCALE	DESIGN UNITS	THIRD ANGLE PROJECTION
NTS	METRIC	
TITLE		
SERIAL ATA BACKPLANE EXT. HT., RECEPT., T/H		
MOLEX INCORPORATED		
DOCUMENT NO.	SHEET NO.	
SD-87678-023	4 OF 4	
THIS DRAWING CONTAINS INFORMATION THAT IS PROPRIETARY TO MOLEX INCORPORATED AND SHOULD NOT BE USED WITHOUT WRITTEN PERMISSION		

9 8 7 6 5 4 3 2 1